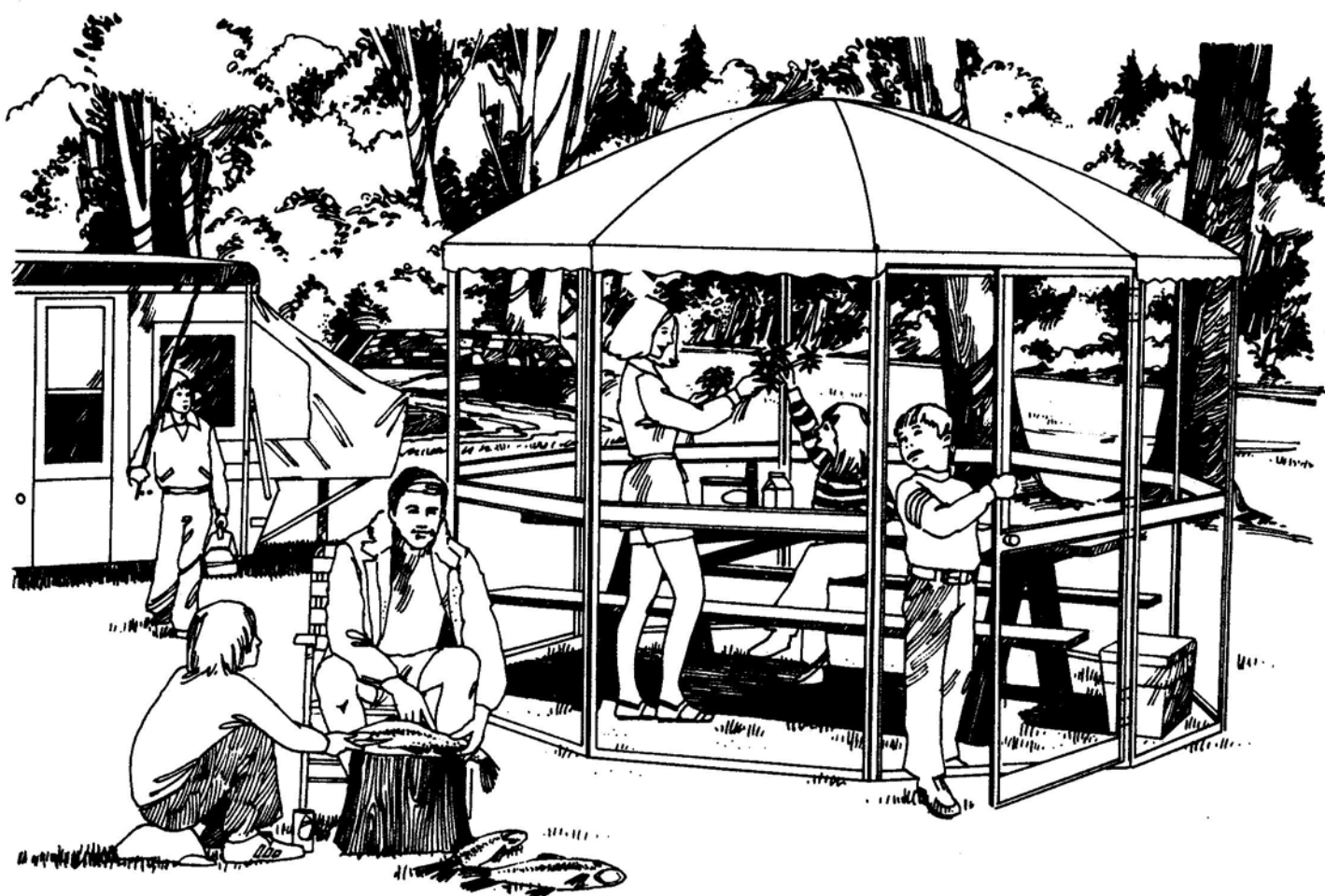




# SCREENHOUSE

**Owner's guide and assembly instructions**  
**All Round Models**



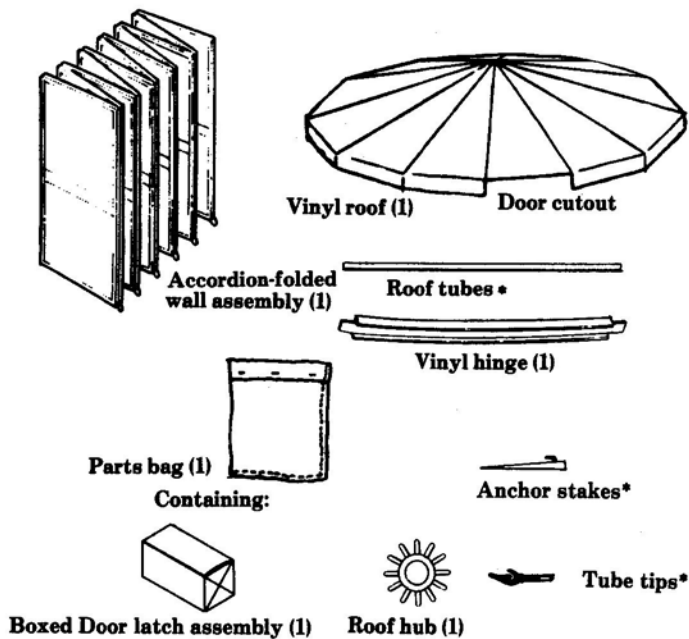
**NOTE: DO NOT SEEK REPLACEMENT OF PARTS THROUGH THE STORE. RETURN ENCLOSED CARD TO THE FACTORY OR CALL CUSTOMER SERVICES AT 800-626-5296.**

# Safety Instructions

1. Do not attempt to assemble the screenhouse under windy conditions.
2. In the event strong winds or storms are forecast, disassemble and store in a safe place. Minimum precaution requires removal of the roof.
3. The screenhouse is not designed to hold a snow load. Disassemble during snow season.
4. Keep open flames and inflammable materials outside and at a safe distance from your screenhouse.

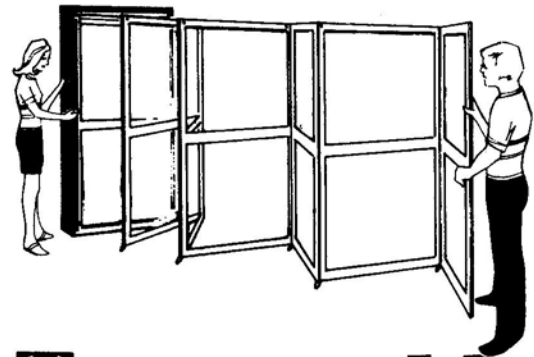
## 1. Prior to assembly:

- Read all instructions thoroughly before attempting assembly.
- A. To safely and easily assemble the screenhouse, a minimum of two people are needed. You will need a medium-sized sledgehammer, a hammer and a sturdy chair or 5-6 foot stepladder.
- B. You should erect your screenhouse on as level a spot as possible.
- C. Remove the vinyl roof, roof tubes, vinyl hinge, bag of parts and the door hardware box, then inventory the parts as follows:



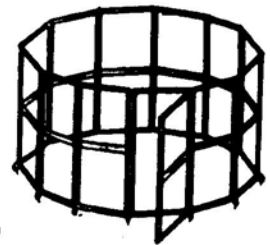
\*8 for an 8 panel screenhouse;  
10 for a 10 panel screenhouse.

- D. Completely open vinyl roof on a flat surface, preferably in direct sunlight, to allow folds and creases to disappear.
- E. Set packing carton upright and remove wall assembly, making sure wire stake loops are on the ground.
- F. Unfold wall assembly like an accordion. Make certain wire stake loops are not snagged on adjoining wall joint. If so, do not force, but simply un snag wire loop and continue unfolding.
- G. Retain packing carton for off-season storage.

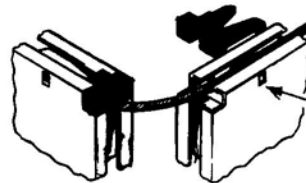


## 2. To assemble the walls:

- A. Form a rough circle with the walls as shown, making sure the door opens out.
- B. Unhook the rubber bands securing the ends of both top and bottom wire support cables.



Plastic cable retainers inserted (left) and removed (right).

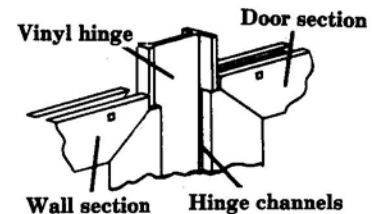


- C. Remove the black, self-locking cable retainer from the top left corner of the door panel. Use a pen, nail or screwdriver to depress the stud and slide the cable retainer out.

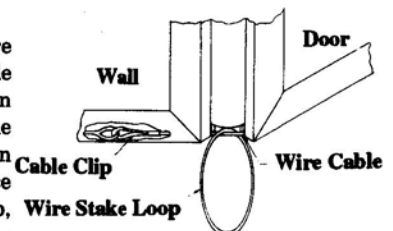
- D. Remove the black, self-locking cable retainer from the top right and bottom right corners of the wall panel to the left of the door panel.

- E. Line up the left edge of the door panel and right edge of the adjacent wall panel, so that the corners from which cable retainers have been removed are adjoining.

- F. Hold one end of the vinyl hinge vertically above the hinge channels of the two adjacent sections. Slowly pull edges of hinge into channels until fully inserted. The vinyl hinge will slide more easily if first dipped in water.

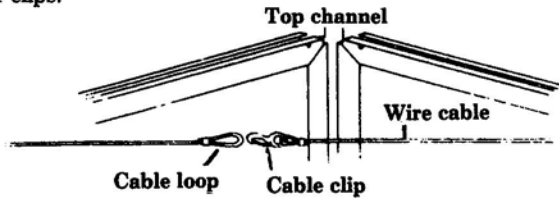


- G. Unhook the extra wire stake loop from the lower cable clip and locate it directly between the two panels. Connect the bottom wire cable and center in the bottom channel. Replace bottom cable-retaining clip, Wire Stake Loop making sure the wire stake loop is to the left of the retainer clip at bottom. This will be used for anchoring the screenhouse with the stakes provided.



**Note:** The easiest way to replace the cable retainers is to insert the stud into the channel entrance first, and then rotate the curved leg of the retainer into the channel. Slide the retainer into the channel until the stud clicks into its hole.

H. Connect top cable ends together with clip provided and center cable in top channel. Replace two remaining cable retainer clips.



**CAUTION:** Make sure the roof tubes are pushed all the way on and firmly against the center hub before connecting the tubes to the retaining cable. If this is not done, the roof tube ends can split.

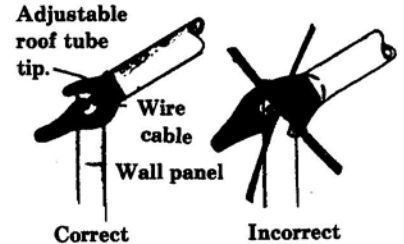


Center hub showing correct roof tube insertion. Tube end is tight against hub.

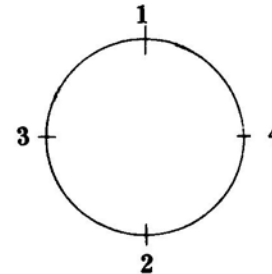


Incorrect roof tube insertion. Tube must be snug against hub.

Then a second person should hook the tube tip end under the wire cable at the top of a wall section joint. **Important Note:** It is very important that the tube tips be positioned only as shown at right. Should the position be reversed, the roof will not be securely anchored and could blow off in moderate winds. The cable must be located fully in the eye of the plain tube tip.



Install the first four roof tubes in the sequence shown in the following diagram.



The remaining tubes should then be installed directly opposite each other, following the same procedure for each tube.

After the first several tubes have been installed, you will note that it is necessary to push the center hub upward, bowing the roof tubes slightly to attach them to the wall section. When roof tube installation is complete, the roof will be dome-shaped. Maintain a firm grip on the tubes during this procedure as they are under significant tension. Re-check to be certain tubes are firmly against the center hub.

## 4. To install the roof:

Please read carefully prior to installing your new screenhouse roof.

The roof of your new screenhouse has been carefully engineered, fabricated and inspected to look and fit well for many years. It is made from one of the finest outdoor fabrics, consisting of vinyl layers laminated to supportive webbing.

Because the roof is hand-cut and sewn, much like a tailored suit or dress, slight variations in roof section sizes can occur. The roof is a vinyl laminate and is not dimensionally stable, and can, under certain climatic conditions, display a slight relaxing effect. In the event that water should collect in these depressions during heavy rain, it will be vented by the grommet drains provided in the roof. The small amount of water that may remain should be removed by standing inside the screenhouse and pushing the roof upward and outward. Do this as soon as practical, should the need arise, as water standing and evaporating under direct sunlight will stain the roof permanently.

**3. To assemble the roof frame:**

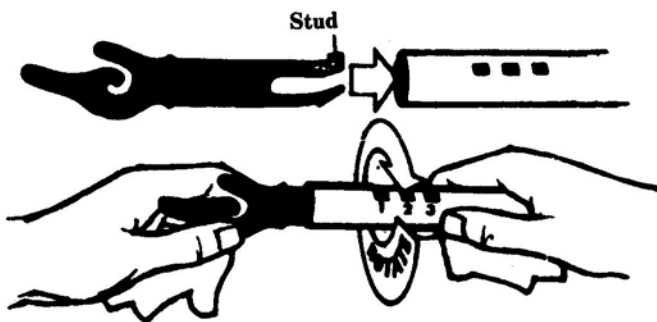
A. Remove roof tube tips from the parts bag.  
B. Insert the roof tube tips into the roof tubes (rafters):

1. To insert the tip properly, just push the plastic tip into the aluminum tube with the upraised square stud to either side of the holes. Rotate the tip until the stud snaps into place in the desired hole of the tube. You'll be able to hear it click as well as see it. Also you will note by now that this operation is similar to that used on the cable retainers.

2. There are three (3) square holes near the end of each tube. Notice that there is a square, upraised stud on the end of each black, molded-nylon tube tip. By inserting this stud into the first, second or third hole of the tube, you can adjust the length of the tube to allow for roof size variation and assure taut roof fit.

3. When you first put your new roof on your screenhouse, the studs should be in the second square hole. Through use, if your roof relaxes to the point that it is baggy, the tube can be adjusted to its maximum length to compensate. If you notice that the roof is becoming hard to assemble because of shrinkage, just move the tips back to the third hole, as required, to make a proper fit.

It is important that all tips be in the same holes in all tubes for best fit. That is, if one tip is in the second hole, all remaining tips should also be in the second hole.



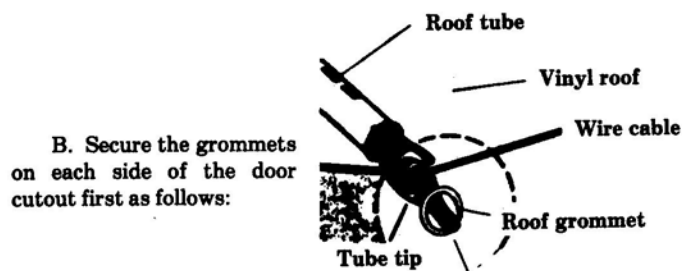
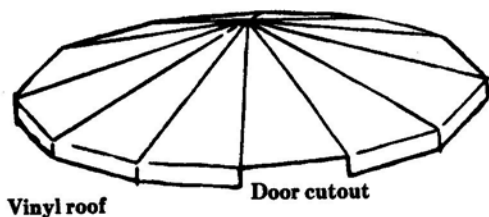
C. Enter the screenhouse, taking the spoked roof hub and all roof tubes.

D. One person should stand on a sturdy stool or stepladder in the center of the wall assembly, holding the spoked roof hub level with the top of the walls and inserting the open end of a roof tube snugly onto any one spoke of the roof hub.



There is a predetermined shrink factor allowed for in fabricating the roof. We allow for approximately three (3) seasons of shrinkage when cutting the roof to size, after which there should be no more shrinkage. Since individual roofs vary somewhat, the fit of the roof grommets over the roof tube tips may become tighter in subsequent seasons. Assistance with considerable pull may become necessary to secure the last few grommets. To compensate for this variance, should it occur, and assure a constant good fit, the roof support tubes and tips can be adjusted to shorten the tube length as needed. In the event your roof shows abnormal shrinkage, and is hard or impossible to install, the roof tubes can be shortened by taking a hacksaw and removing 1/2-inch or whatever is required to make it fit properly, from the hub end of each tube.

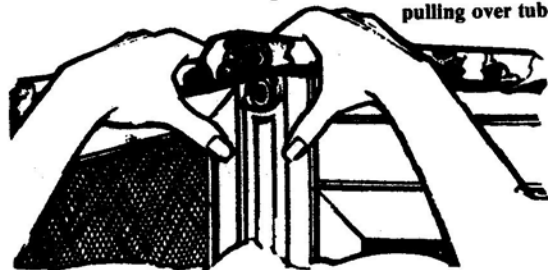
A. Unfold vinyl roof and spread evenly over frame, with seam binding "up" (on outside surface). Position cut-out section over door. Allow time for fabric to relax. Install roof during warm weather, or warm part of day, for easiest installation.



B. Secure the grommets on each side of the door cutout first as follows:

Stand outside the screenhouse and grasp material and grommet with both hands, exposing underside of grommet and circular patch, as shown below. Be sure patch is fully spread. Pressing both thumbs against screenhouse frame for leverage, pull edge of vinyl toward you and secure grommet to tube tip.

Form a roll of material to expose grommet and distribute stress when pulling over tube tip.



Next, fasten the two grommets on the vinyl roof section directly opposite door. Proceed to fasten balance of grommets over tips. Always fasten grommets on side opposite to the one previously secured.

The roof is fabricated to fit snugly to assure a wrinkle-free fit. A strong pull may be necessary to secure last several grommets. Do not use tools; use hands only.

C. After the roof grommets are hooked over the tube tips, the roof should be further secured at the middle of the door assembly with the velcro button and patch provided. Grasp the roof edge near the patch, pull firmly outward and downward, hold down and press inward on the roof to join the patch and button. To remove, pull outward at the very edge of the roof below the fastener.

D. It is normal for needle holes to show in the vinyl roof where it is stitched. This is because the vinyl material, unlike cloth fibers, will not contract after being pierced with a sewing needle.

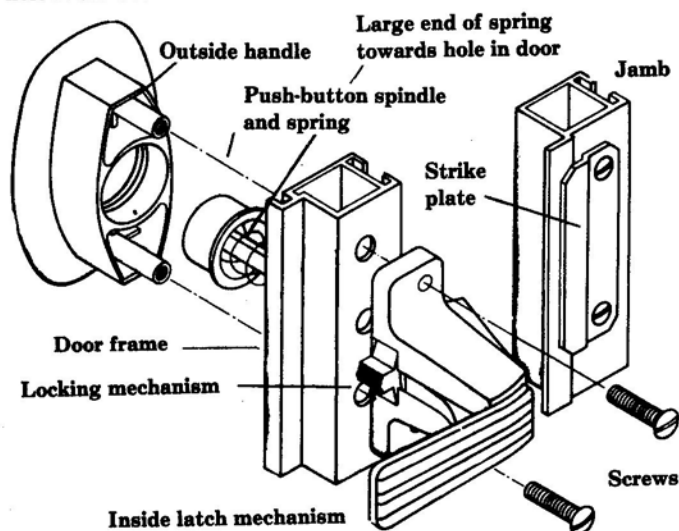
These small holes may leak water when it first starts to rain. However, the Dacron thread used to stitch the vinyl roof has a cotton wrap that expands when it gets wet, to close needle holes and stop leaks. If leak continues, treat with vinyl sealant.

E. Now that the roof is completely mounted, make sure that the top flaps of the flexible vinyl hinges are properly positioned on the inside of the screenhouse, where they will cover the tube tip/cable joints.

## 5. To install the latch:

A. On the outside of the door you will see three holes provided for the mounting of the door latch assembly.

B. Assemble push-button spindle and spring into outside handle as shown, making sure small end of spring is inserted into push button and the large end of the spring is toward the hole in the door.



C. Insert assembly through drilled holes from the outside of door. Position inside latch mechanism over the holes on inside of door, guiding end of push-button spindle into rectangular slot in latch. Fasten with the two machine screws provided.

D. With door in fully closed position, mount strike plate on jamb and adjust sideways to firmly engage inside latch mechanism.

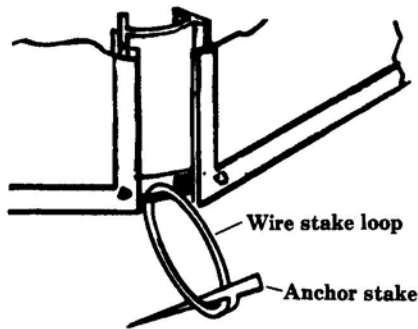
E. The door can be locked from both the inside (by pushing down the locking mechanism) and from the outside (by inserting a dime into the slot in the push button and turning to the right).

The door, if locked from the inside, can be opened from the outside simply by turning the push button to the left. No key is needed; therefore, key is not provided.

## 6. To anchor screenhouse:

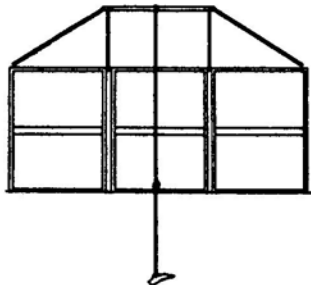
A. Make certain that all walls are vertical and straight, paying special attention to the door frame.

B. The wire stake loops should be hooked tautly to the stakes. Working from the outside, drive the anchor stakes firmly into the ground at an angle, with the sharp tip of the stake pointing toward the center of the screenhouse.



### C. HEAVY-DUTY GROUND ANCHOR

Use to give additional stability. Cable and "duck bill" adjustable anchor assembly attaches to center of roof rafter assembly and can be driven into the ground or anchored to the deck using an eye bolt.



(See separate instructions.)

D. **Final door adjustment.** Door may bind when swinging shut due to uneven ground. This door bind may be eliminated by pulling outward on the stake loops on either side of the door, and then restaking tautly.

If this fails due to extremely uneven ground, stand outside the screenhouse facing the door and raise or lower the panel to the right of the door by removing soil or adding shims, as required.

E. Should you desire to anchor your screenhouse to a deck or concrete slab, special anchoring brackets are available (order from parts list). They should be secured with masonry wedge bolts for cement or lag bolts for wood. (Bolts not provided.)

### IMPORTANT NOTE:

It is essential that the screenhouse be properly anchored, as this will add stability to the structure. Therefore, the ground anchor kit provided must be used to increase stability.

## 7. To store screenhouse:

A. Disassemble your screenhouse by reversing the assembly techniques.

B. Clean the roof before storage by using a mild detergent and warm water, scrubbing with a medium-bristle brush. *Rinse thoroughly.*

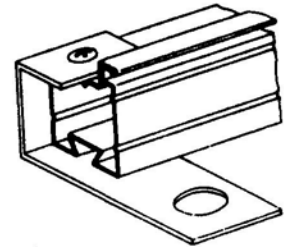
C. **IMPORTANT:** Be absolutely certain that the *top fabric and rib webs are thoroughly dry* before folding. Moisture, if trapped in folds, will cause rot and mildew.

D. Store your screenhouse in its carton in a dry, heated place.

## 8. Accessories

### ANCHOR BRACKET KIT

Used to anchor the screenhouse to a deck or patio. Sold in sets of 12.



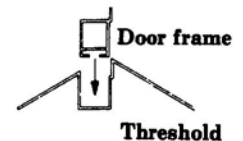
### PRIVACY PANELS

Install quickly and easily and offer extra privacy when desired.

One panel encloses upper or lower half of screen wall; sold in sets of four panels.

### SNAP-ON THRESHOLD

Stabilizes and protects door frame against kicks and bumps while it helps guard against tripping. Comes in Mill finish; can be painted to match unit. (See parts list for matching touch-up paint.)



### OTHER ACCESSORIES CAN BE ORDERED FROM PARTS LIST.

- Roof repair kit
- Wall screen repair kit
- Door screen repair kit

## 9. To order parts:

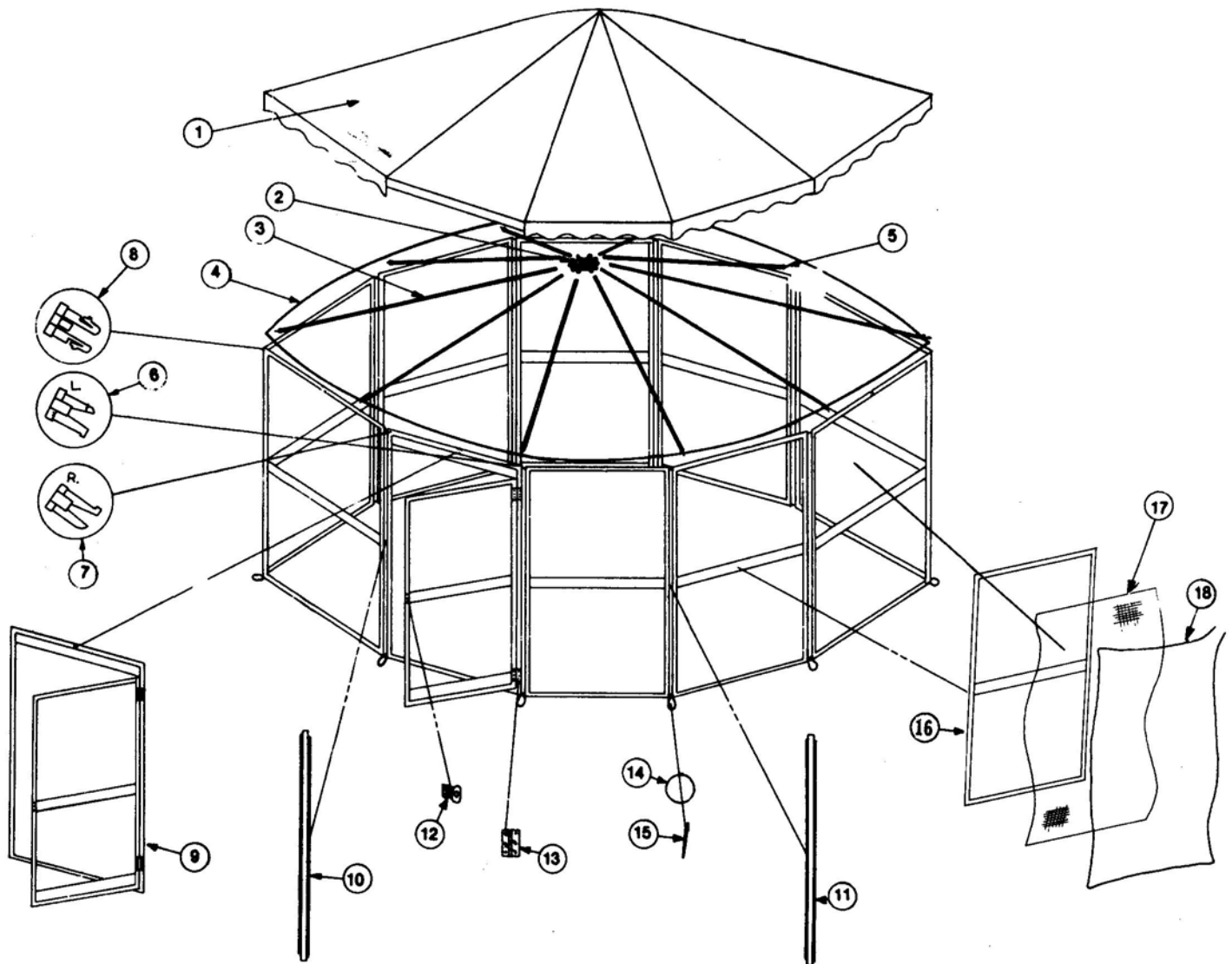
A combination parts/accessories list and order form is included with your screenhouse. To order parts and accessories, fill it out and send us the entire form. A duplicate form will be returned with your parts order.

All parts are sold by check, money order or Visa/Mastercard with order. Sorry, no COD orders are accepted.

**NOTE:** This Screenhouse is not designed to withstand heavy winds or snow. Please disassemble your unit during inclement weather and the off season.



# SCREENHOUSE PARTS DIAGRAM



Key No.	Description
1	Roof
2	Roof hub
3	Roof tube
4	Wire cable assembly
5	Tube tip
6	Cable retainer 'L' for door section
7	Cable retainer 'R' for door section
8	Cable retainer for wall sections
9	Door assembly (incl. screen)

Key No.	Description
10	Vinyl hinge, wall-to-door
11	Vinyl hinge, wall-to-wall
12	Door latch assembly
13	Spring-loaded door hinge
14	Wire stake loop
15	Anchor stake
16	Wall panel assembly (incl. screen)
17	Fiberglass screen only
18	Screen spline only

**CAUTION:** This screenhouse is not designed to withstand heavy winds or snow. Please disassemble your unit during inclement weather and the off season. Though flame retardant, inflammable keep all materials away from the roof.

Kay Home Products, 90 McMillen Road, Antioch, IL 60002

Website: [www.kayhomeproducts.com](http://www.kayhomeproducts.com)

U.S. Customer Service: 1-800-626-5296 x522 Canada Customer Service: 1-888-988-8555

IN ALL CORRESPONDENCE REGARDING THIS PRODUCT ALWAYS MENTION MODEL NO.

ORDER REPLACEMENT PARTS BY MAIL, WEBSITE, OR PHONE

(6)

**KAY HOME PRODUCTS**

Form No. 30065 Rev 12/04